

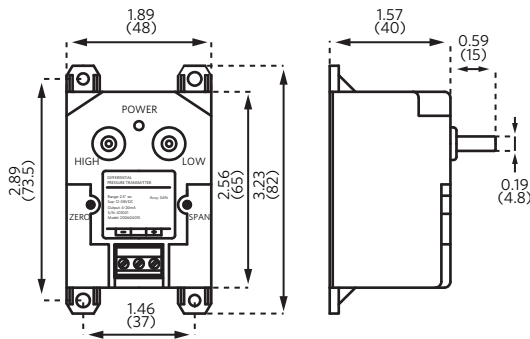
SERIES 211 Differential Pressure Transmitter



- Compact Design
- 0.25% Accuracy
- LED Power Indication
- 4 - 20 mA or 0 - 10 V output

The Series 211 Differential Pressure Transmitter can accurately measure positive, negative, or differential pressure and send the corresponding 4 - 20 mA output signal. The Series 211 Differential Pressure Transmitter is not position sensitive and can be mounted in any orientation without compromising accuracy. It also features a power LED, so you always know when the transmitter is operating. The compact, lightweight design makes installation simple and easy.

DIMENSIONS



SPECIFICATIONS

Maximum Pressure:

Ranges \leq 5 PSI (35 kPa) = 15 PSI (100 kPa) Max
 Ranges $>$ 5 PSI (35 kPa) = 30 PSI (200 kPa) Max

Media Compatibility: Air and compatible non-combustible, non-corrosive gasses

Accuracy: Ranges \leq 4" w.c. (1 kPa) 1.0% Ranges \geq 5" w.c. (1.25 kPa) 0.25%

Temperature Ranges:

Compensated: 15° to 120°F (-10° to 50°C)
 Operating: -10° to 155°F (-25° to 70°C)

Thermal Effect: +/- 0.028% FS/°F (+/- 0.050%/°C)

Stability: +/- 0.25% FS/year

Output Signal: 4-20 mA, 2 wire or 0-10V

Loop Resistance: 250 Ω @ 24 VDC

Power Supply: 12-30 VDC

Housing Material: ABS Plastic

Electrical Connections: screw terminals

Process Connection: Push on connection for 3/16" I.D. tubing

Agency Approvals: CE

MODEL NUMBERS

Model	Pressure Range	Accuracy
211-D001I-1	0 - 1"	1%
211-D002I-1	0 - 2"	1%
211-D004I-1	0 - 4"	1%
211-D006I-3	0 - 6"	0.25%
211-D010I-3	0 - 10"	0.25%
211-D020I-3	0 - 20"	0.25%
211-D040I-3	0 - 40"	0.25%
211-D005P-3	0 - 5 PSI	0.25%
211-D010P-3	0 - 10 PSI	0.25%
211-D015P-3	0 - 15 PSI	0.25%
211-D250A-1	0 - 250 Pa	1%
211-D500A-1	0 - 500 Pa	1%
211-D001K-1	0 - 1 kPa	1%
211-D002K-3	0 - 2 kPa	0.25%
211-D003K-3	0 - 3 kPa	0.25%
211-D005K-3	0 - 5 kPa	0.25%
211-D010K-3	0 - 10 kPa	0.25%
211-D025K-3	0 - 25 kPa	0.25%
211-D050K-3	0 - 50 kPa	0.25%
211-D100K-3	0 - 100 kPa	0.25%

For 0 - 10V output, add -V to the end of the part number.
 Consult factory for other calibration ranges including zero center ranges.