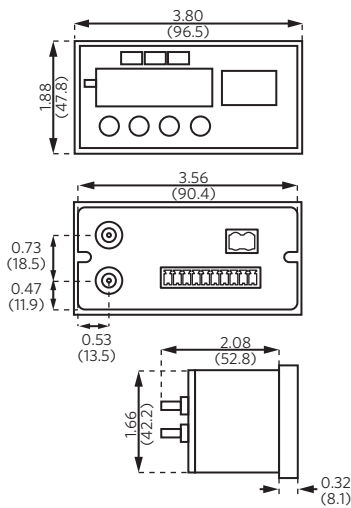


SERIES B4 1/8 DIN Digital Differential Pressure Control



DIMENSIONS



SPECIFICATIONS

Maximum Pressure:

Ranges -00 to -07 = 2 PSI (13.8 kPa)
Ranges -08 to -12 = 10 PSI (68.9 kPa)

Media Compatibility: Air and compatible non-combustible, non-corrosive gasses

Accuracy: 1.0%, 0.5% or 0.25%

Temperature Ranges:

Compensated and Operating: -10° to 140°F (-23° to 60°C)

Thermal Effect: +/- 0.02% FS/°F

Output Signal: 4 - 20 mA and 0 - 5 V Output (option)

Loop Resistance: 750 Ω Max (for internally sourced power); 1800 Ω Max (for externally sourced power of 36 VDC)

Power Supply: 24 VDC

Housing Material: Extruded aluminum and ABS

Relays: (2) SPDT 8 Amps @ 250 VAC, 5A @30 VDC

Electrical Connections: Removable terminal blocks

Response Time: <100 ms

Display: 4 Digit, red LED, ½" (12.7 mm) digits; OLED programming display

Process Connections: Push on connection for 3/16" (5 mm) tubing

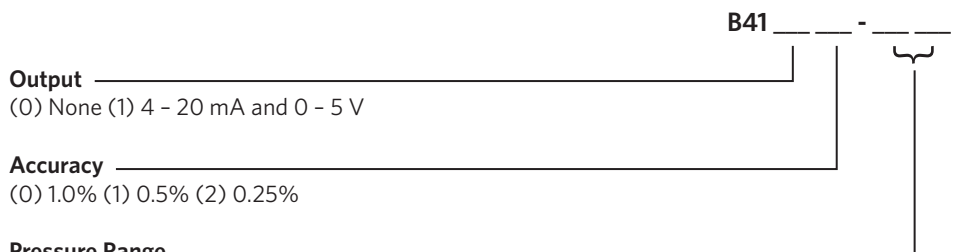
Agency Approvals: CE

- 1/8 DIN Housing
- 2.1" (53 mm) Panel Depth
- Optional 4 - 20 mA and 0 - 5 V Output
- Measures Flow & Velocity
- (2) 8A SPDT Relays
- Removable Terminal Blocks

The Series B4 is a 1/8 DIN digital differential pressure controller for positive, negative, and differential pressure as well as velocity and flow. The patented Series B4 differential pressure controller includes (2) 8A SPDT relays, and an optional digitally scalable 4 - 20 mA and 0 - 5 V output. The programmable control allows full configuration of variables such as setpoints, dead band, engineering units, flow coefficients, and more. The programming is done from a user friendly menu on the OLED display. The OLED also displays the exact setpoints or other user defined variables during normal operation. Furthermore, the menu structure can be customized by moving variables to different menu levels to accommodate user preferences. The Series B4 is easily mounted in 1/8 DIN cut-outs with a panel depth of only 2.1 inches (53 mm).

PART NUMBER CONFIGURATION

Sample: B4112-03



Output _____
(0) None (1) 4 - 20 mA and 0 - 5 V

Accuracy _____
(0) 1.0% (1) 0.5% (2) 0.25%

Pressure Range _____

Number	Range (Pa/kPa)	Number	Range (Pa/kPa)	Number	Range (Pa/kPa)
(-00)	0 - 0.25" (60)	(-05)	0 - 4" (1.0)	(10)	0 - 20" (5.0)
(-01)	0 - 0.5" (125)	(-06)	0 - 5" (1.25)	(11)	0 - 30" (7.5)
(-02)	0 - 1" (250)	(-07)	0 - 8" (2.0)	(12)	0 - 40" (10)
(-03)	0 - 2" (500)	(-08)	0 - 10" (2.5)		
(-04)	0 - 3" (750)	(-09)	0 - 15" (3.75)		

* All ranges are Bi-directional

ACCESSORIES

- **A-101** Weather-Proof Cover / Surface Mount Bracket
- **A-201** Rubber 90 degree fitting for 3/16" ID tubing
- **A-010** PG 21 Cable Gland for use with A-101 Cover