

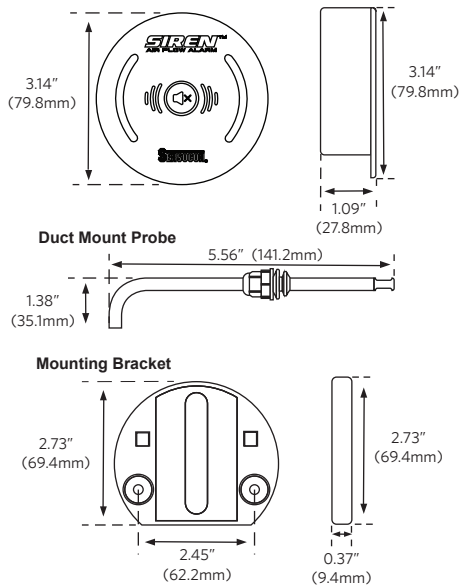
# SERIES AFA *SIREN*<sup>™</sup> Air Flow Alarm



- High Visibility Status Indication
- Quick Installation
- Standard Night Set Back
- Audible Alarm
- Multiple Mounting Options

The Series AFA Siren<sup>™</sup> is an air flow monitor designed to provide visual and audible indications for decreases in air flow. Its color changing LED's provide vibrant visual indication of the operating status of the unit. The Siren<sup>™</sup> gives a relay output and a clear audible alarm when air flow decreases below the designated set point. The Siren<sup>™</sup> offers multiple mounting options including bracket mounting and interlocking strips. The unit can be powered through the 6-position terminal connection or by use of a power adapter. The alarm point can be set at a given air flow or at 80% of a given air flow. All units come standard with a night set back option and 6 position terminal plug. The Siren also fulfills the exhaust alarm requirement needed to be in compliance with NSF/ANSI Standard 49. A quick installation process, one-touch calibration, and one-touch reset make for an easy set up and easy use.

## DIMENSIONS



## MODEL NUMBER

Model: AFA-D

Includes: - *SIREN*<sup>™</sup> Alarm  
- Power Adapter  
- Duct Mount Probe  
- Pluggable Terminal Block  
- Mounting Bracket

## ACCESSORIES

- A-301 6ft (1.8m) Power Adapter Extension Cable

## SPECIFICATIONS

**Operating Temperature:** 60 - 100° F (16 - 37°C)  
**Velocity Range:** 40 - 2000 ft/min (0.2 - 10.2 m/s)  
**Power:** 12 - 24 VDC  
**Input Current:** 0.5 A Max  
**Repeatability:** 2%  
**Relay Input:** Night Set Back  
**Relay Output:** SPDT 2A @ 30 VDC  
**Audible Alarm:** 87 dB  
**Probe Cable Length:** 12ft (3.6m)  
**Power Adapter Cable Length:** 6ft (1.8m)

